

**AF**  
**Alu-Fab**

  
**comar**  
ARCHITECTURAL ALUMINIUM SYSTEMS

Uniclass	EPIC
L3811:P43	C421:X421
CI/SfB	
(21-4) Xh4	

**comar5P.i**

**Window Cladding Interfaces**

Aluminium window interfaces that allow a Comar window to be installed as a cladding panel.



complementing architecture



# design

## Comar 5P.i Cladding Interfaces

Cladding the building envelope can provide a striking solution to a design brief. However installing opening vents into claddings can create issues with joint integrity. Traditionally, opening vents were installed with flashings and joint integrity relied on site applied sealant. The main disadvantage of this is long-term sealant degradation and lack of weather tightness of the façade.

Longevity of solution are the key words for Comar 5P.i Cladding Interfaces. The adaptor allows the specifier the design opportunity to incorporate windows into a façade without the need for additional flashings. The external frame of the windows incorporates the

cladding interface, which mimics the edge profile of the cladding system. This allows the window to be installed in exactly the same way as the panels.

Comar 5P.i Cladding Interfaces provide cost effectiveness: site labour is reduced, due to the seamless integration of the window system into the cladding.

As the adaptor utilises Comar Pi technology, low U-values and dual colour options are available. The adaptor fits all window combinations, so a variety of tilt and turn, horizontal and vertical pivot, top-swing, casement windows can be specified.

## Integration

### Kingspan

Kingspan's 70mm and 80mm Optimo cladding has slim sight lines which create a visually striking appearance. Available in cover widths of 900 or 1000mm, the system has a hidden joint detail which conceals fasteners from view.

Comar's Kingspan Panel Interfaces, allow window units to be prefabricated and "dropped" into the panel system facilitating the simple and quick construction that has become the standard with Kingspan's systems. The advanced Optimo system also includes a broad range of project specific accessories for designers with simple integration for doors and windows.

### Europanel

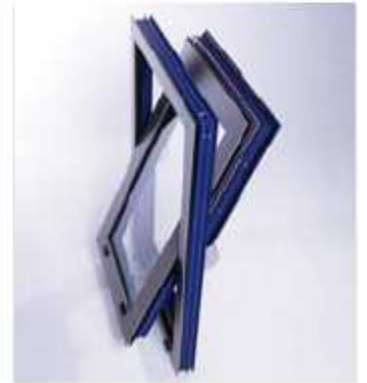
Europanel wall cladding is a flat composite wall panel specially designed for panel integrity, joint performance and ease of construction with the widest range of modules available. Europanel Premier system is a higher specification truly flat panel with a suite of integrated aluminum extruded trims and accessories including window integration, snap-on details, gasket joints and integrated louvres.

### Other Options

Comar's Technical Department can produce profiles for other types of panels upon request. Please contact Comar's Marketing Department for further details.



# perform



## Comar 5Pi Window System

The Comar 5Pi is a 60mm polyamide system that provides exceptional thermal efficiency for applications where accurate U-value trade-offs are required. Comar 5Pi answers the demands of the latest building regulations by providing enhanced thermal performance, reducing heat loss and maintaining internal temperatures for longer. This directly impacts on the clients long term use of the building, reducing energy bills.

Comar 5Pi also provides a wealth of design possibilities with its dual colour option: the internal face and external faces of the profiles can be polyester powder coated or anodised in a multitude of colours and finishes. Comar 5Pi can incorporate through-frame or glazed-in ventilators from the Comar-Duco range. Comar 5Pi offers outstanding weather performance, exceeding the requirements of the very latest weather tightness tests: BS EN's 1026, 1027 & 12211.

## Window Configurations

Comar 5Pi range includes window configurations, such as: casement, horizontal and vertical pivot, tilt and turn, top-swing reversible and sliding windows. Comar 5Pi integrates with all Comar systems to provide opening vents to window walling, curtain walling and ground floor treatment, as well as the ability to be coupled together to form ribbon windows.

## Installation

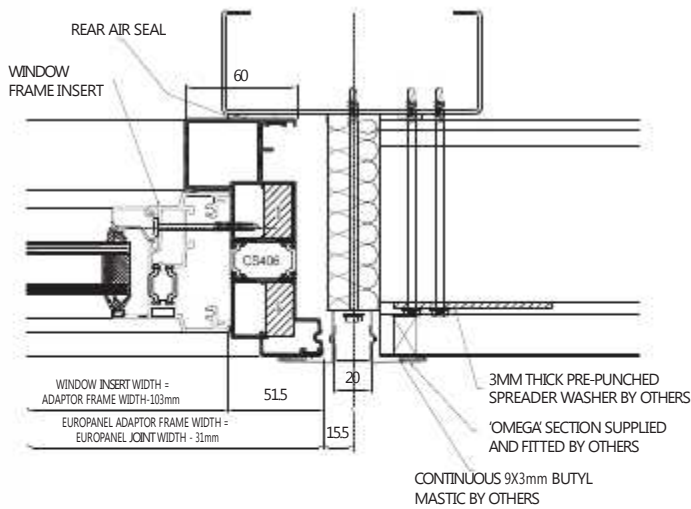
These adaptor profiles have been designed to match the top and bottom of 'Kingspan' and 'Europanel' interlocking panel joints, enabling a window when fitted with these profiles, to be 'dropped' into the cladding system in the same way as a panel, eliminating the need for any separate parts or flashings, thus maintaining the continuity of cladding construction. Comar 5Pi Cladding Interfaces maintain the flush external appearance of the cladding.

## Available Profiles

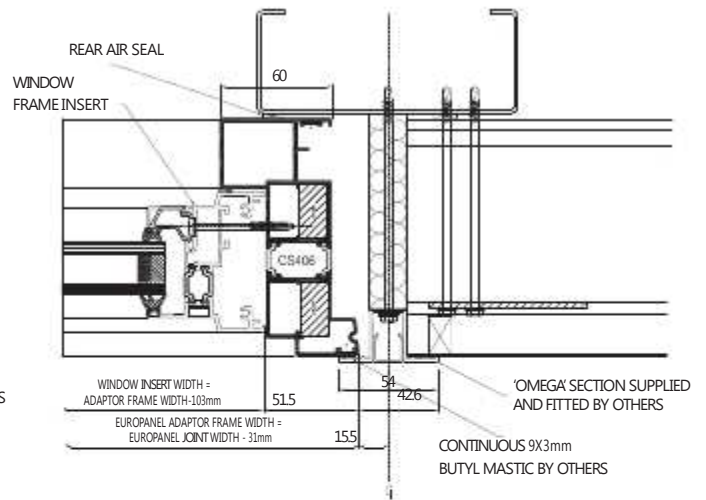
Profile	Kingspan Optimo		Europanel			
			5mm Panel Joints		12mm Panel Joints	
	70mm	80mm	85mm	126mm	85mm	126mm
Sill	•	•	•	•	•	•
Jamb	•	•	•	•	•	•
Head	•	•	•	•	•	•

# europanel

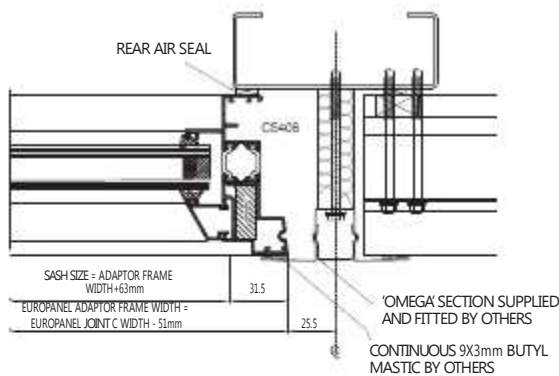
## Europanel Cladding Interfaces 126mm and 85mm Panels Typical Jamb Details



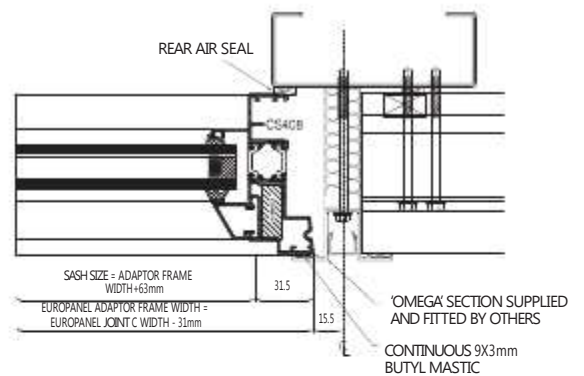
126mm thick Europanel jamb detail using Omega sections EPH-02A, 2B and 2C



126mm thick Europanel jamb detail using Omega sections PSH-02A and PSH-02B



85mm thick Europanel jamb detail using Omega sections EPH-02A, 2B and 2C

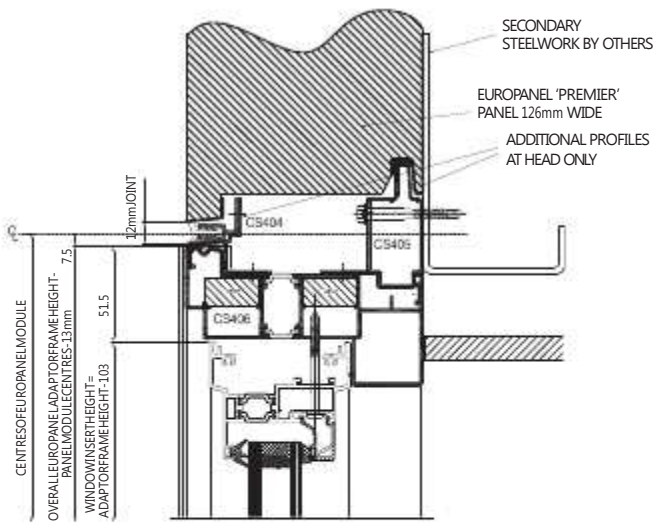


85mm thick Europanel jamb detail using Omega sections EPH-02A, 2B and 2C

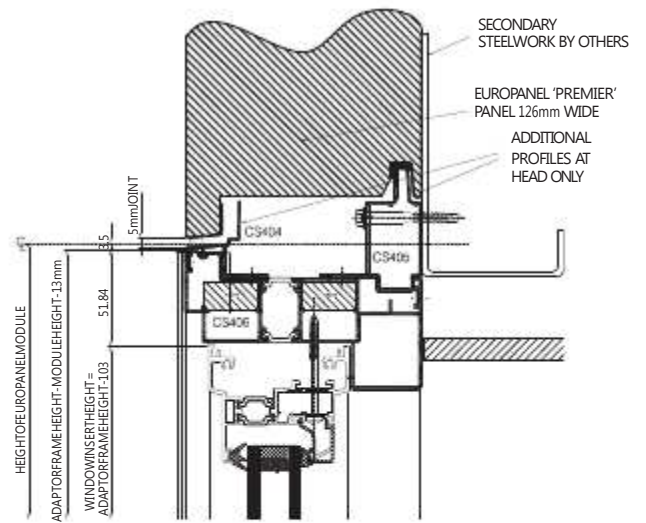


# europanel

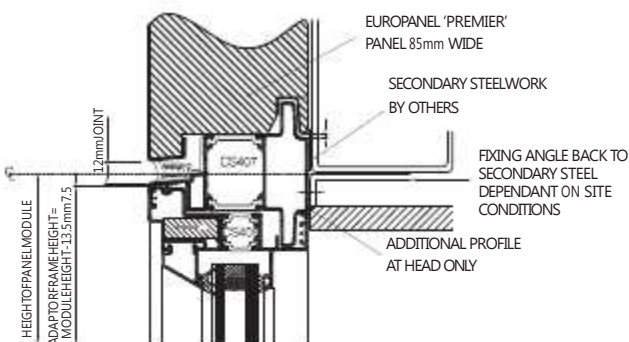
## Europanel Cladding Interfaces 126mm and 85mm Panels Typical Head Details



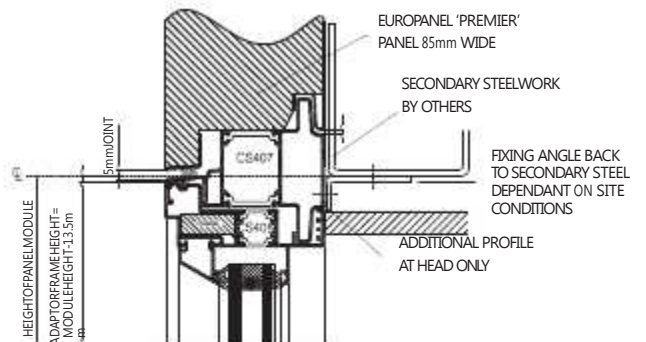
126mm Europanel head detail for 12mm jointing system



126mm Europanel head detail for 5mm jointing system



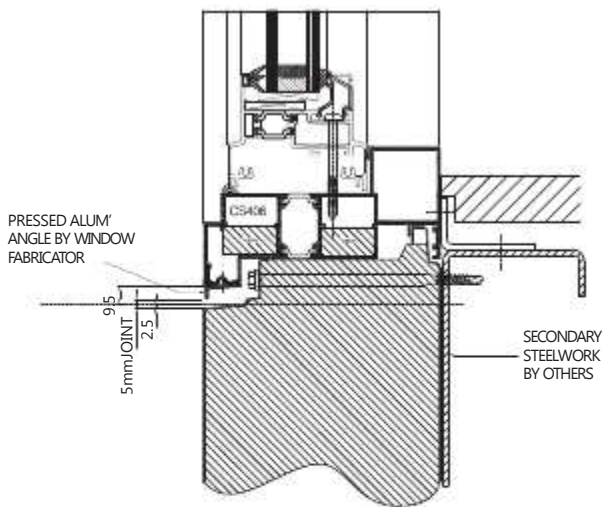
85mm Europanel head detail for 12mm jointing system



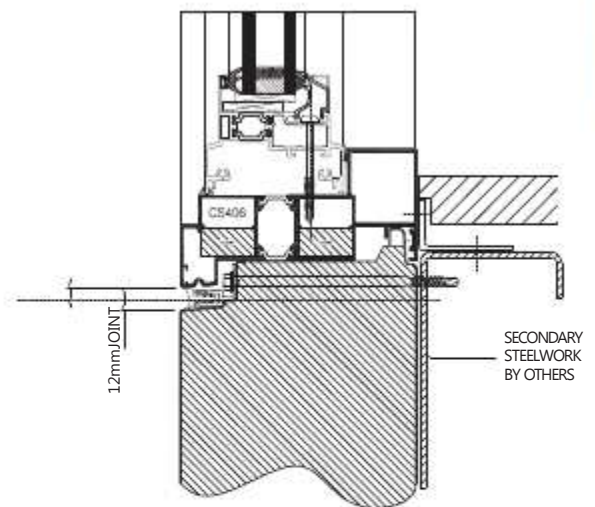
85mm Europanel head detail for 5mm jointing system

# europanel

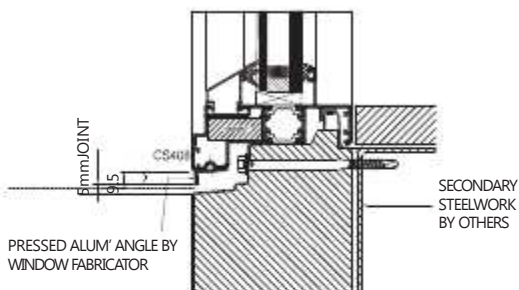
## Europanel Cladding Interfaces 126mm and 85mm Panels Typical Sill Details



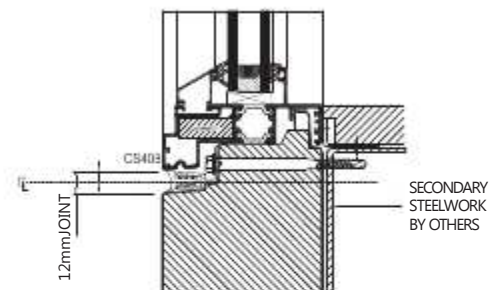
126mm Europanel sill detail for 5mm jointing system



126mm Europanel sill detail for 12mm jointing system



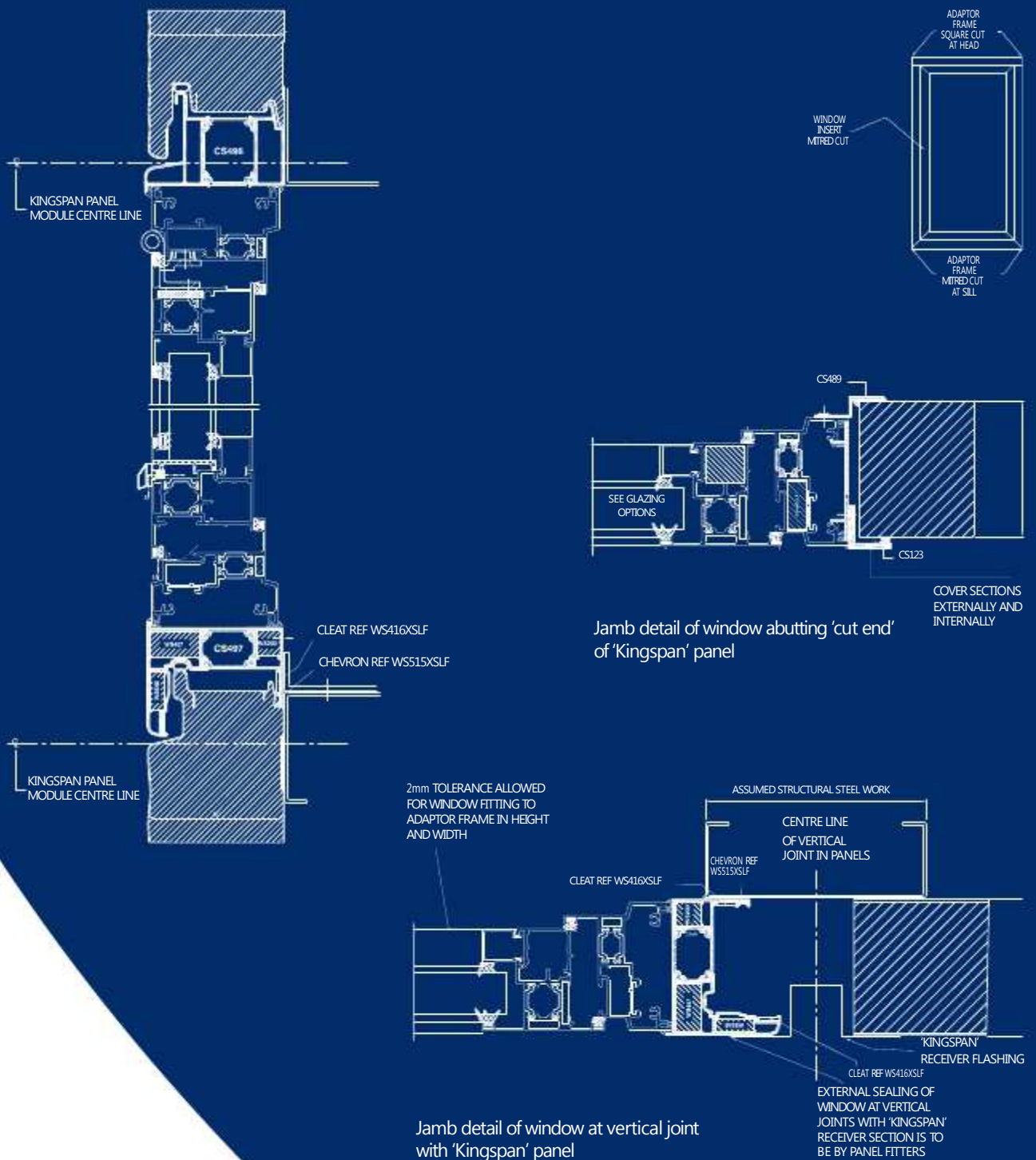
85mm Europanel sill detail for 5mm jointing system



85mm Europanel sill detail for 12mm jointing system

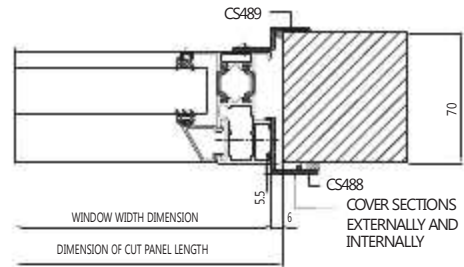
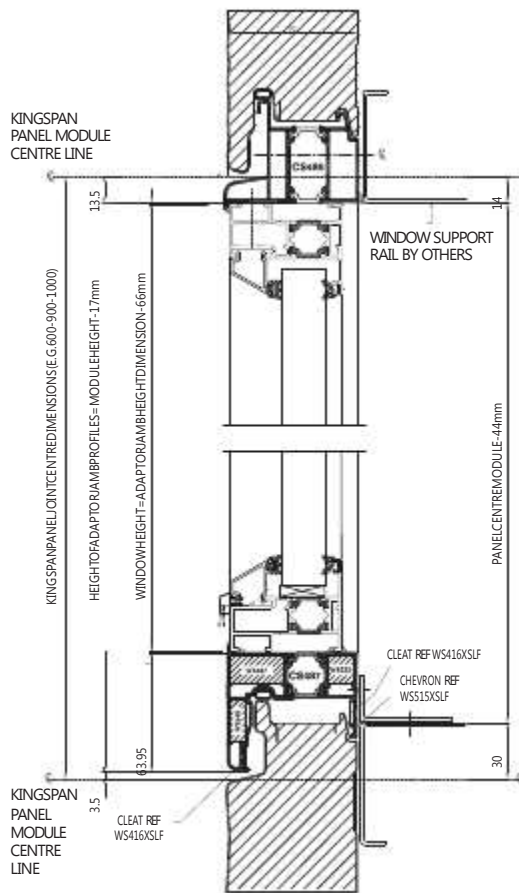
# kingspan

## Kingspan Interfaces 80mm Panels Typical Details



# kingspan

## Kingspan Cladding Interfaces 70mm Panels Typical Details



Jamb detail of window at vertical joint with 'Kingspan' panel

